

**AWWA C515  
Resilient Seat  
GATE VALVES**

**Model 2030  
OS&Y (2"~12")**

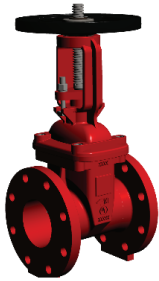
**UNITED**



APPROVED



Compliant to NSF/ANSI 312

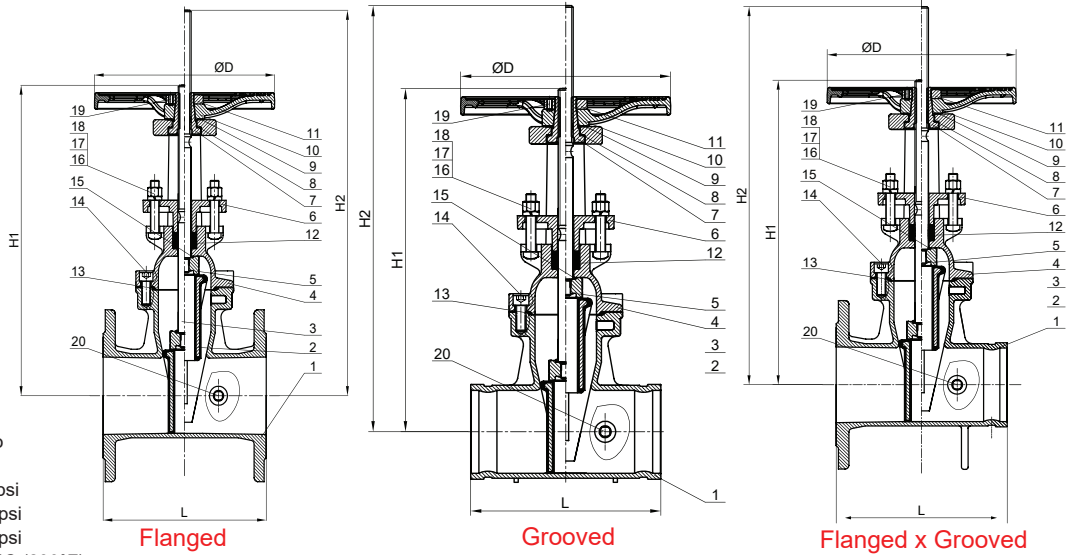


**Available:**

- Flange Ends
- Grooved Ends
- Flange x Grooved

**Description:**

1. Conforms to AWWA C515
2. Epoxy coated inside and outside to AWWA C550.
3. Working Pressure: 2"~12" - 300 psi  
14"~18" - 250 psi  
20"~24" - 200 psi
4. Temperature: -23°C (-10°F) to 110°C (230°F)
5. Flange drilling to ANSI 125/150. Metric PN10/PN16 drilling is available upon request.
6. Grooved ends conform to AWWA C606
7. Color: Red, RAL 3000



**MATERIAL LIST**

ITEM NO.	DESCRIPTION	MATERIAL	ITEM NO.	DESCRIPTION	MATERIAL
1	Body	Ductile Iron, ASTM A536 65-45-12	11	Handwheel Nut	Galvanized Carbon Steel
2	Wedge	Ductile Iron - EPDM Coated	12	Packing	PTFE
3	Stem	Stainless Steel, AISI 304	13	Gasket	EPDM
4	Bonnet	Ductile Iron, ASTM A536 65-45-12	14	Hex Socket Cap Screw	8.8 Rating
5	Disc Nut	ASTM A351 CF8	15	O-Ring	EPDM
6	Gland	Ductile Iron, ASTM A536 65-45-12	16	Nut	Stainless Steel AISI 304
7	Stem Nut	Bronze, ASTM B62	17	Sq. Bolt	Stainless Steel AISI 304
8	Stem Nut Washer	ASTM B16	18	Spring Washer	Stainless Steel AISI 304
9	Handwheel Washer	ASTM B16	19	Hex Cylinder Head Set Screws	Stainless Steel AISI 304
10	Handwheel	Ductile Iron, ASTM A536 65-45-12	20	Plug	Stainless Steel AISI 304

Design and materials are subject to change without notice.

**DIMENSIONAL DATA**

Dimensions in inches

Size	Part No. (Flanged)	L	ØD	Part No. (Grooved)	L	ØD	Part No. (Flanged x Grooved)	L	ØD	H1	H2	Turns to Open
2"	2030FF-120	7	7-1/8	2030GG-120	7	7-1/8	2030FG-120	7	7-1/8	13-3/8	16-1/6	13
2-1/2"	2030FF-125	7-1/2	7-1/4	2030GG-125	7-1/2	7-1/8	2030FG-125	7-1/2	7-1/4	13-3/8	16-1/6	17
3"	2030FF-130	8	10	2030GG-130	8	10	2030FG-130	8	10	15	18-1/5	16
4"	2030FF-140	9	10	2030GG-140	9	10	2030FG-140	9	10	16-3/7	20-1/4	20
5"	2030FF-150	10	12	2030GG-150	10	12	2030FG-150	10	12	19-5/7	24-3/4	25
6"	2030FF-160	10-1/2	12	2030GG-160	10-1/2	12	2030FG-160	10-1/2	12	22-1/4	28	30
8"	2030FF-180	11-1/2	14	2030GG-180	11-1/2	14	2030FG-180	11-1/2	14	28-1/3	36-2/7	34
10"	2030FF-200	13	17-1/2	2030GG-200	13	17-1/2	2030FG-200	13	17-1/2	34	44	42
12"	2030FF-220	14	17-1/2	2030GG-220	14	17-1/2	2030FG-220	14	17-1/2	39-2/5	51-1/6	50



**WARNING:** This product can expose you to chemicals including lead, which is known to the State of California to cause cancer and birth defects or other reproductive harm. For more information go to [www.P65Warnings.ca.gov](http://www.P65Warnings.ca.gov).



**NAPAC - UNITED Distribution Centers**

229 Southbridge Street, Worcester, MA 01608

Tel: (800) 807-2215 Fax: (800) 807-2214

[www.napacinc.com](http://www.napacinc.com)

Jacksonville, Florida

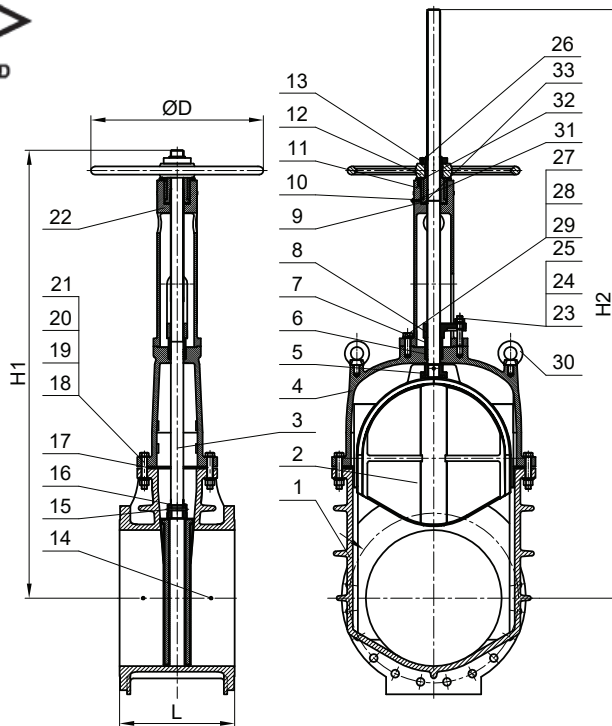
**AWWA C515  
Resilient Seat  
GATE VALVES**

**Model 2030  
OS&Y (14"~24")**

**UNITED**



Certified to NSF/ANSI 61 NSF/ANSI 372



Flanged

**MATERIAL LIST**

ITEM NO.	DESCRIPTION	MATERIAL
1	Body	Ductile Iron, ASTM A536 65-45-12
2	Seat Rubber Coating	EPDM
3	Shaft	AISI SS304
4	Cover	Ductile Iron, ASTM A536 65-45-12
5	Disc Nut	ASTM A351 CF8
6	Packing	PTFE
7	Packing Gland Bushing	ASTM B16
8	Packing Gland	Ductile Iron, ASTM A536 65-45-12
9	Shaft Nut	ASTM B62
10	Shaft Nut Washer	ASTM B16
11	Shaft Lock Nut	ASTM B16
12	Handwheel	Ductile Iron, ASTM A536 65-45-12
13	Handwheel Lock Nut	Steel
14	Square Pipe Plug	ASTM SS304
15	Pin	ASTM SS316
16	O-ring	EPDM
17	Gasket	EPDM
18	Bolt	ASTM SS304
19	Spring Washer	ASTM SS304
20	Nut	ASTM SS304
21	Washer	ASTM SS304
22	Stents	Ductile Iron ASTM A536 65-45-12
23	Studs	ASTM SS304
24	Spring Washer	ASTM SS304
25	Nut	ASTM SS304
26	Screw	ASTM SS304
27	Bolt	ASTM SS304
28	Spring Washer	ASTM SS304
29	Washer	ASTM SS304
30	Lifting Bolt	ASTM SS304
31	Straight through injection oil cup	Copper
32	Slot countersunk head screws	Steel
33	Support Gasket	ASTM B16

**Available:**  
Flange Ends

**Description:**

1. Conforms to AWWA C515
2. Epoxy coated inside and outside to AWWA C550.
3. Working Pressure: 14"~18" - 250 psi  
20"~24" - 200 psi
4. Temperature: -23°C (-10°F) to 110°C (230°F)
5. Flange drilling to ANSI 125/150. Metric  
PN10/PN16 drilling is available upon request.
6. Color: Red, RAL 3000

**DIMENSIONAL DATA**

Size	Part No. (Flanged)	L	H1	H2	ØD	Turns to Open
14"	2030FF-240	15	47-3/7	62	20	50
16"	2030FF-260	16	54-3/7	70-5/6	22	57
18"	2030FF-280	17	62	80-2/5	24	56.5
20"	2030FF-300	18	69-2/7	90-2/5	24	42
24"	2030FF-340	20	77-6/7	102-1/3	30	50



**WARNING:** This product can expose you to chemicals including lead, which is known to the State of California to cause cancer and birth defects or other reproductive harm. For more information go to [www.P65Warnings.ca.gov](http://www.P65Warnings.ca.gov).



**NAPAC - UNITED Distribution Centers**

229 Southbridge Street, Worcester, MA 01608

Tel: (800) 807-2215 Fax: (800) 807-2214

[www.napacinc.com](http://www.napacinc.com)

Jacksonville, Florida